

JIALIFT®



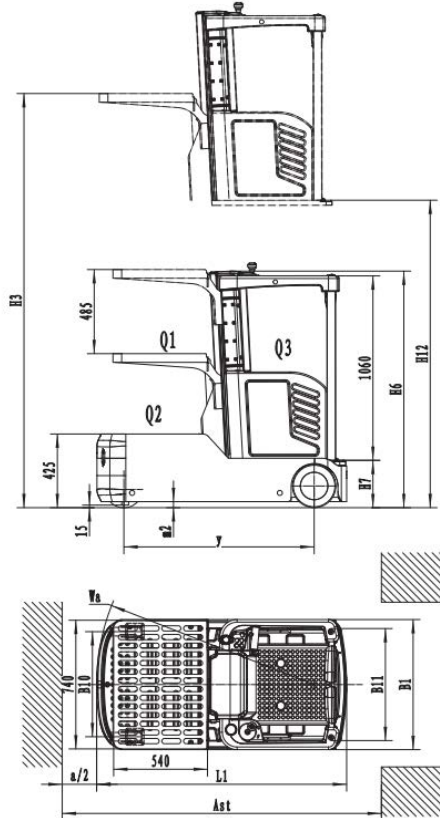
www.jialift.com.au

JX0 Task Support Vehicle



- Li-Ion Battery
- Max Lifting Height of platform - 2990mm
- Truck size: 1365x1440x750mm, turning radius (1260),
- Suitable for narrow spaces, Light and flexible;

Light Type Order – Picking Truck



Warranty: 1Years refer to the JIALIFT warranty terms and conditions



JIALIFT AUSTRALIA PTY LTD

Call Us: 1300 000 168 Email: sales@jialift.com.au

www.jialift.com.au

Distinguishing mark				
1.1	Manufacturer			EP
1.2	Model designation			JxD
1.3	Drive unit			Battery
1.4	Operator type			standing
1.5	rated capacity on front platform	Q 1	kg	90
	rated capacity on behind platform	Q 2	kg	110
	rated capacity on standing platform	Q 3	kg	136
1.6	Wheelbase	y	mm	1095
Weight				
2.1	Service weight (include battery)		kg	800
2.2	Axle loading, laden driving side/loading side		kg	—
2.3	Axle loading, unladen driving side/loading side		kg	370/430
Types, Chassis				
3.1	Tyre type Driving wheels/Loading wheels			polyurethane /rubber
3.2	Tyre size, driving wheels (diameter×width)		mm	Φ210×70
3.3	Tyre size, loading wheels (diameter×width)		mm	Φ250×100
3.5	Wheels, number driving, caster/loading (x=drive wheels)		mm	1x +2
3.6	Track width, front, driving side	b10	mm	545
3.7	Track width, rear, loading side	b11	mm	640
Dimensions				
4.2	Height, mast lowered	h1	mm	1365
4.8	Seat height/standing height	h7	mm	275
4.14	Stand height, elevated	h12	mm	3000
	Lift height	h32	mm	500
4.19	Overall length	L1	mm	1440
4.21	Overall width	b2	mm	750
4.32	Ground clearance, center of wheelbase	m2	mm	35
4.33	Fork dimensions	L2	mm	540×740
4.34	initial height of front cargo platform	h2	mm	870
4.35	Control handle height	h5	mm	1040
4.36	Fork dimensions	L4	mm	490×630
4.38	The channel width	Ast	mm	1850
4.39	Turning radius	Wa	mm	1260
Performance data				
5.1	Travel speed, laden/ unladen		km/ h	6/6.5
	Lifting speed, laden/ unladen		m/ s	0.220/0.270
5.2	Lifting speed, laden/ unladen		m/ s	0.038/0.040
	Lowering speed, laden/ unladen		m/ s	0.310/0.250
5.3	Lowering speed, laden/ unladen		m/ s	0.040/0.038
	Max. gradeability, laden/unladen		%	5/8
5.10	Service brake type			Electromagnetic
Electric engine				
6.1	Drive motor rating S2 60 min		kW	0.65
6.2	Lift motor rating at S3 15%		kW	2.2
6.3	The maximum allowed size battery		mm	
6.4	Battery voltage/nominal capacity K5		V/ Ah	24/120
6.5	Battery weight		kg	30 (60)
Addition data				
8.1	Type of drive unit			DC
10.5	Steering type			Electronic
10.7	Sound pressure level at the driver's ear		dB (A)	74



JIALIFT AUSTRALIA PTY LTD

Call Us: 1300 000 168 Email: sales@jialift.com.au

www.jialift.com.au