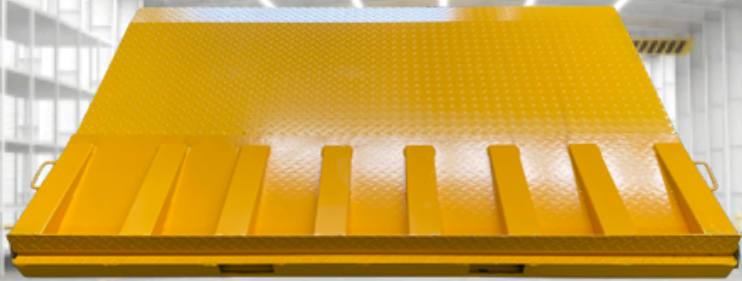


# JIALIFT®



[www.jialift.com.au](http://www.jialift.com.au)

7T CONTAINER RAMP -  
SELF LEVELING  
(CRN65-P)

CE

## Container Ramp | Self Levelling

The CRN65-P Container Ramp 7 Ton is designed for bridging into a standard shipping container from ground level loading and unloading of 20 foot and 40-foot shipping containers.

- The self-leveling lip allows for full load capacity when on slightly uneven ground.
- The ramp footing folds up to allow access to the fork pockets for transport.
- Securing safety chains located on both sides of the ramp prevent unintentional disengagement of the ramp from the container.
- Standard painted Safety Yellow finish.



# JIALIFT®

MATERIAL HANDLING EQUIPMENT

---

- **Model: CRN65-P**
- **Capacity: 7000kg**
- **Length: 2000mm**
- **Width: 2200mm**
- **Fork Pocket: Centres 805mm**
- **Fork Pocket Size: 165mm x 60mm**
- **Unit Weight: 295kg**
- **Thickness: 5mm**



**JIALIFT AUSTRALIA PTY LTD**

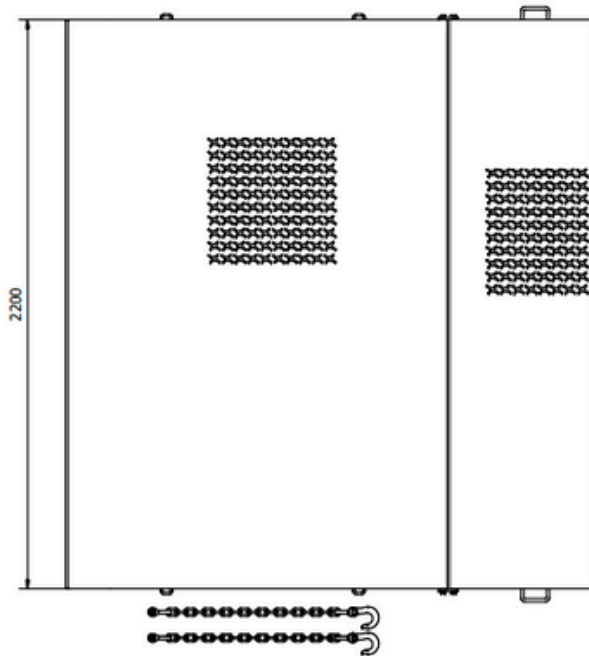
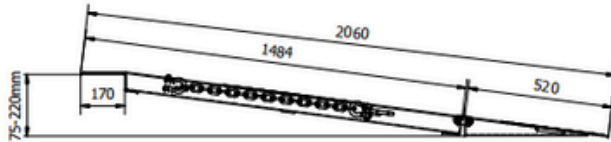
Call Us: 1300 000 168 Email: [sales@jialift.com.au](mailto:sales@jialift.com.au)

[www.jialift.com.au](http://www.jialift.com.au)

# JIALIFT®

MATERIAL HANDLING EQUIPMENT

---



**JIALIFT AUSTRALIA PTY LTD**

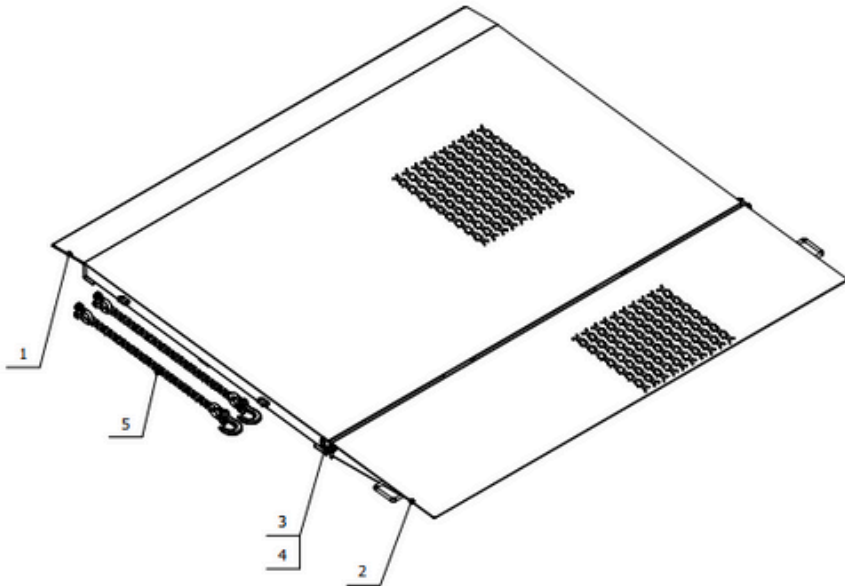
Call Us: 1300 000 168 Email: [sales@jialift.com.au](mailto:sales@jialift.com.au)

[www.jialift.com.au](http://www.jialift.com.au)

# JIALIFT®

MATERIAL HANDLING EQUIPMENT

---



**JIALIFT AUSTRALIA PTY LTD**

Call Us: 1300 000 168 Email: [sales@jialift.com.au](mailto:sales@jialift.com.au)

[www.jialift.com.au](http://www.jialift.com.au)